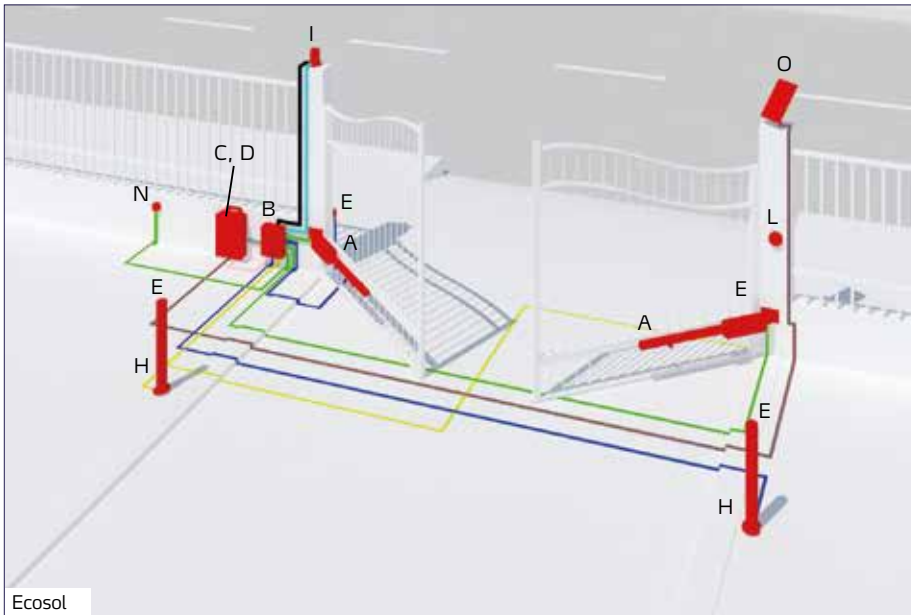


Solar power supply system

Autonomy of system

	ECOSOL*	ECOSOL+DOUBLE*
Built-in		
HYDRA R	8	16
LIBRA C MA - PHOBOS BT (from vers. 6.02)	21	42
LIBRA C MA - ELI250 BT (from vers. 6.02)	5	10
LIBRA C MV (from vers. 1.04 MICHELANGELO)	15	30
LIBRA C MO (from vers. 1.00.1 MOOVI BT)	20	40
LINX - VIRGO	22	44
QSCD MA - DEIMOS BT	9	19
QSCD MA - URANO BT	7	15
HQSCD - ARES 1500	6	13
VENERE D - EOS120	9	18
VENERE D - ARGO + SCS-IO	8	16
VENERE D - ARGO G + SCS-IO	8	16

*N° of days operation without sun: 10 cycles per day with 1 pair of 130 photocells, one blinker. Cycle time 25 Sec. 10 Sec. TCA.



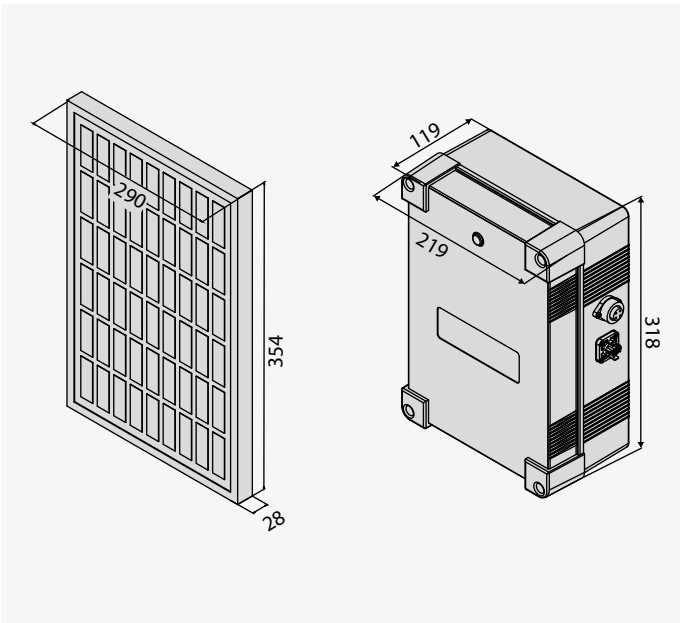
A	Operator
B	Control unit
C	Backup Batteries
D	Receiver
E	Photocell
H	Post
I	Flashing Beacon
L	Control system (key selector switch, keypad, badge reader)
N	Junction box
O	Solar panel
	2x1.5
	2x0.75
	3x1.5
	RG 58
	5x1
	2x1

SOLAR POWER SUPPLY SYSTEM

Ecosol is a complete solar powered system for low-voltage installations. Ideal for doors and gates that are not easily reached from the power mains, it adapts to any context thanks to compatibility with all 24V systems, both old and new.



DIMENSIONS (mm)



TECHNICAL FEATURES

	ECOSOL BOX	ECOSOL BOX NO BATTERY	ECOSOL PANEL
Nominal voltage	24 V	24 V	24 V
Maximum current	10 A	10 A	
Peak power			10 Wp
Battery nominal capacity	7.2 Ah	7.2 Ah	
Battery type	12 A	12 A	
Maximum panel power	35 Wp	35 Wp	35 Wp
Consumption in standby	0.15 W	0.15 W	
Environmental conditions	from -20 °C to 50 °C	from -20 °C to 50 °C	from -20 °C to 50 °C
Protection rating	IP55	IP55	IP65



Code	Name	Description
D113731	ECOSOL BOX	Control and management unit for solar power supply of systems with supply voltage of 24 V. Batteries included.
D113750	ECOSOL BOX NO BATTERY	Control and management unit for supplying solar power to systems with supply voltage of 24 V. Batteries not included.
N999471	ECOSOL PANEL	Solar panel with maximum power of 35 Wp for charging the ECOSOL system. Max 3 panels per system

RECOMMENDED ACCESSORIES

	D113732 - ECOSOL DOUBLE Expansion board with batteries Included		N999473 - ECOSOL POST BR Set of stainless steel screws and brackets for installing the ECOSOL PANEL on a post of diameter 48-100mm
	N999475 - ECOSOL SECURITY Anti-tamper stainless steel screws and fasteners for ECOSOL PANEL and ECOSOL POST BR		N999476 - ECOSOL CABLE 20 m extension for ECOSOL CHARGER
	N999477 - ECOSOL CHARGER Battery chargers for ECOSOL BOX and ECOSOL DOUBLE		



Complete Systems P. 248



accessories P. 238

control units P. 230
 accessories for control units P. 238
 set of batteries for control units P. 238
 expansion boards P. 239
 software P. 240
 receivers P. 240
 transmitters P. 241
 control devices P. 241

activation sensors automatic doors and security P. 242
 signalling devices P. 243
 safety devices - Photocells and accessories P. 243
 safety devices - Sensitive edges P. 245
 rubber profiles P. 245
 solenoid locks P. 246
 release systems P. 246